

**PLEASE CHECK WWW.MOLEX.COM FOR LATEST PART INFORMATION**

**Part Number:** [0467651001](#)  
**Status:** **Active**  
**Overview:** High Definition Multimedia Interface (HDMI\*) Micro Connectors  
**Description:** 0.40mm Pitch Micro HDMI Connector, Right-Angle Receptacle, Surface Mount, with Through Hole Shell Tabs and Pick-and-Place Polyimide Tape, 19 Circuits, Lead-Free

**Documents:**

[3D Model](#) [Packaging Specification PK-46765-001 \(PDF\)](#)  
[Drawing \(PDF\)](#) [RoHS Certificate of Compliance \(PDF\)](#)  
[Product Specification PS-46765-003-001 \(PDF\)](#)

**Agency Certification**

CSA LR19980

**General**

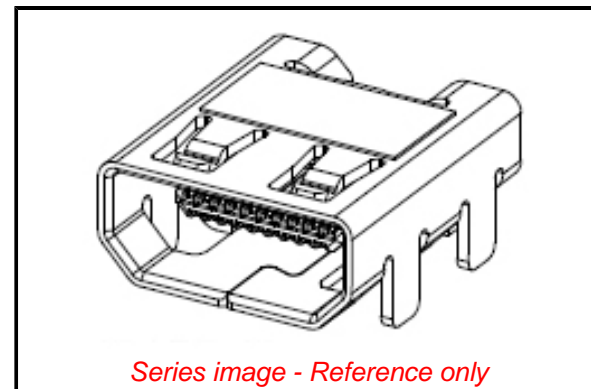
Product Family I/O Connectors  
 Series [46765](#)  
 Application Wire-to-Board  
 Component Type Receptacle  
 Overview [High Definition Multimedia Interface \(HDMI\\*\) Micro Connectors](#)  
 Product Name Micro HDMI  
 Type D  
 UPC 884982008571

**Physical**

Boot Color N/A  
 Circuits (Loaded) 19  
 Circuits (maximum) 19  
 Flammability 94V-0  
 Gender Male  
 Keying to Mating Part Yes  
 Lock to Mating Part Yes  
 Material - Metal Copper Alloy  
 Material - Plating Mating Gold  
 Material - Plating Termination Gold  
 Material - Resin High Temperature Thermoplastic  
 Net Weight 0.309/g  
 Number of Rows 2  
 Orientation Right Angle  
 PCB Retention Yes  
 Packaging Type Embossed Tape on Reel  
 Panel Mount No  
 Pitch - Mating Interface 0.40mm  
 Pitch - Termination Interface 0.40mm  
 Plating min - Mating 0.762µm  
 Plating min - Termination 0.051µm  
 Polarized to Mating Part Yes  
 Polarized to PCB Yes  
 Ports 1  
 Termination Interface: Style Surface Mount  
 Waterproof / Dustproof No

**Electrical**

Current - Maximum per Contact 0.8A  
 Grounding to Panel Yes  
 Shield Type Full Shield



**EU ELV**

**Not Relevant**

**EU RoHS**

**Compliant**

**REACH SVHC**

Not Contained Per - ED/61/2018 (27 June 2018)

**Halogen-Free**

**Status**

**Low-Halogen**

**Need more information on product environmental compliance?**

Email [productcompliance@molex.com](mailto:productcompliance@molex.com)  
 Please visit the [Contact Us](#) section for any non-product compliance questions.

China ROHS	Green Image
ELV	Not Relevant
Prop65	Compliant
RoHS Phthalates	Not Contained

**Search Parts in this Series**

[46765](#) Series

**Mates With**

[68786](#) Micro HDMI Cable Assemblies

Shielded	Yes
Voltage - Maximum	30V

**Solder Process Data**

Duration at Max. Process Temperature (seconds)	010
Lead-free Process Capability	REFLOW
Max. Cycles at Max. Process Temperature	002
Process Temperature max. C	260

**Material Info****Reference - Drawing Numbers**

Electrical Model Document	EE-46765-001
Packaging Specification	PK-46765-001
Product Specification	PS-46765-003-001
Sales Drawing	SD-46765-001

This document was generated on 09/10/2018

**PLEASE CHECK [WWW.MOLEX.COM](http://WWW.MOLEX.COM) FOR LATEST PART INFORMATION**