

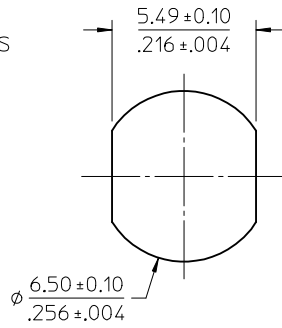
MATERIALS AND FINISHES

BODY, JAM NUT, FLAT WASHER: BRASS
PLATED: GOLD

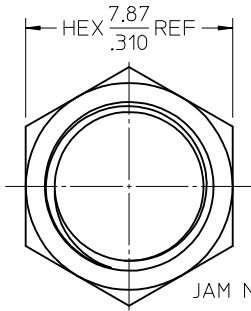
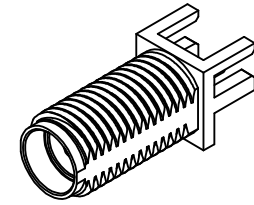
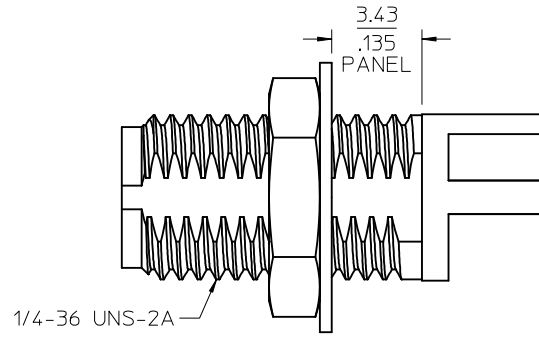
CENTER CONTACT: BeCu
PLATED: GOLD

INSULATOR: TEFLON

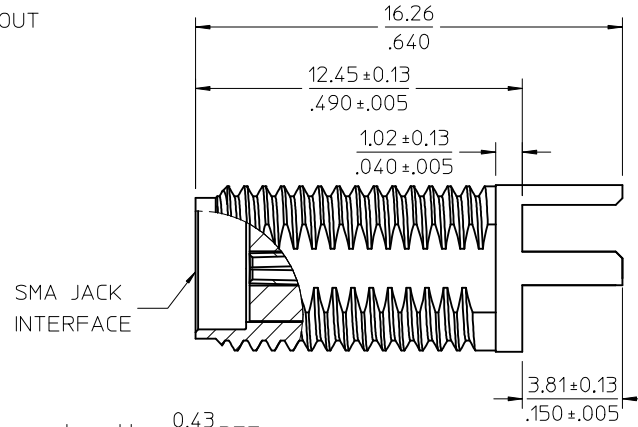
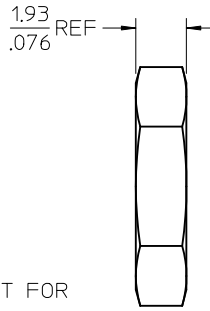
LOCKWASHER: PHOSPHOR BRONZE
PLATED: GOLD



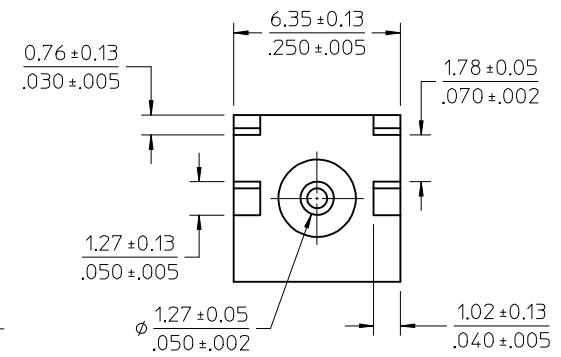
RECOMMENDED PANEL CUTOUT



JAM NUT FOR
73251-2121 & -2122

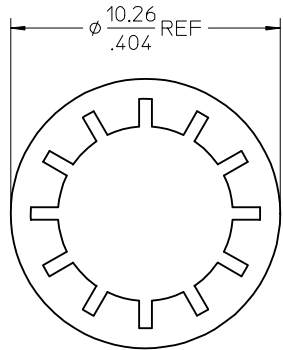
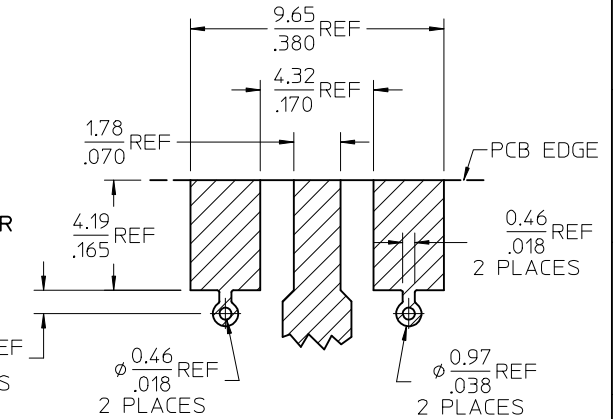


SMA JACK
INTERFACE

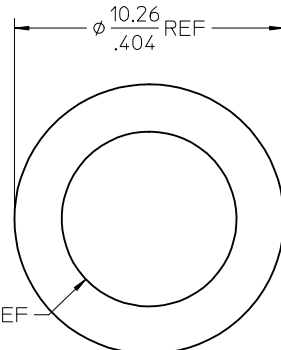
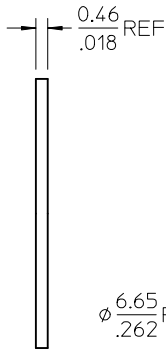


RECOMMENDED PAD LAYOUT

BASE WIDTH: 6.35(.250) NOM.
BOARD THICKNESS: 1.57(.062) NOM.
BOARD MATERIAL: FR4 W/1.0 OZ COPPER
BOTH SIDES



LOCK WASHER FOR
73251-2121 ONLY



FLAT WASHER FOR
73251-2122 ONLY

73251-2123	ONE PIECE -2120 WITHOUT HARDWARE PER BAG
73251-2122	-2120 W/JAM NUT & FLAT WASHER / TRAY PACKING
73251-2121	-2120 W/JAM NUT & LOCK WASHER / TRAY PACKING
73251-2120	-2120 WITHOUT HARDWARE / TRAY PACKING
PART NO.	DESCRIPTION
PS-89675-3460	PRODUCT SPECIFICATION
MIL-STD-348A, FIG. 310.2	INTERFACE
SPECIFICATION	DESCRIPTION

CHG: REGENERATED DWG & ADDED TOLERANCE PER RF13-E072	DATE: 2012/12/12
EC NO: URF2013-0355	
DRW:RYEH	CHKD: A5
APPR:MHUANG	
DESCRIPTION	
QUALITY SYMBOLS	

GENERAL TOLERANCES (UNLESS SPECIFIED)	
mm	INCH
4 PLACES ± .005	± .0005
3 PLACES ± .005	± .0005
2 PLACES ± .005	± .0005
1 PLACE ± .005	± .0005
0 PLACE ± .005	± .0005
ANGULAR ± 2 °	
DRAFT WHERE APPLICABLE MUST REMAIN WITHIN DIMENSIONS	

DIMENSION STYLE	
MM/IN	DATE
DRAWN BY SSS	2003/07/09
CHECKED BY TEF	2003/07/09
APPROVED BY JWIENER	2010/10/27
MATERIAL NO.	
SEE TABLE	
SIZE C	

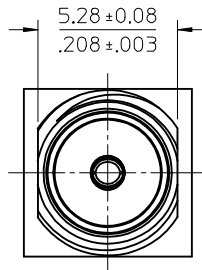
SCALE 7:1	DESIGN UNITS METRIC	THIRD ANGLE PROJECTION
TITLE SMA JACK, EDGE MOUNT .062 BOARD, 50 OHMS, EWR-2074 SMA-J/PCB		
DOCUMENT NO. SD-73251-212		
SHEET NO. 1 OF 1		

MATERIALS AND FINISHES

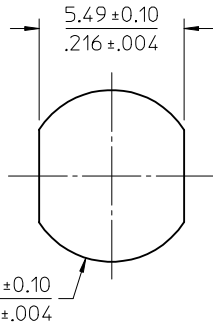
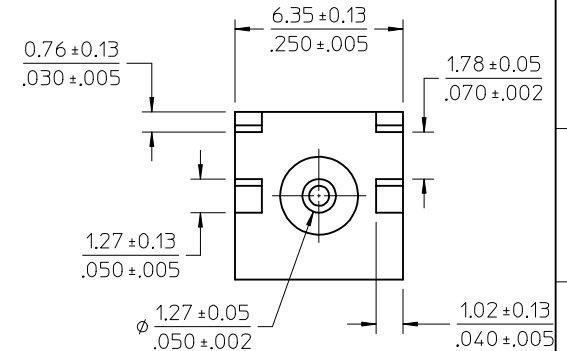
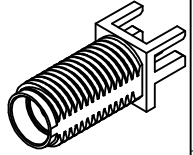
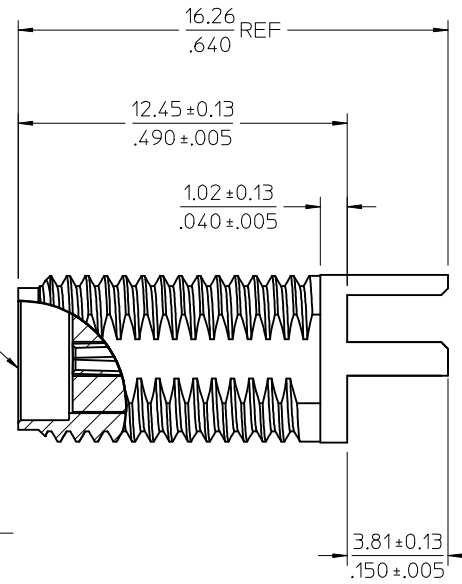
BODY: BRASS
 PLATED: NICKEL

CENTER CONTACT: BERYLLIUM COPPER
 PLATED: GOLD

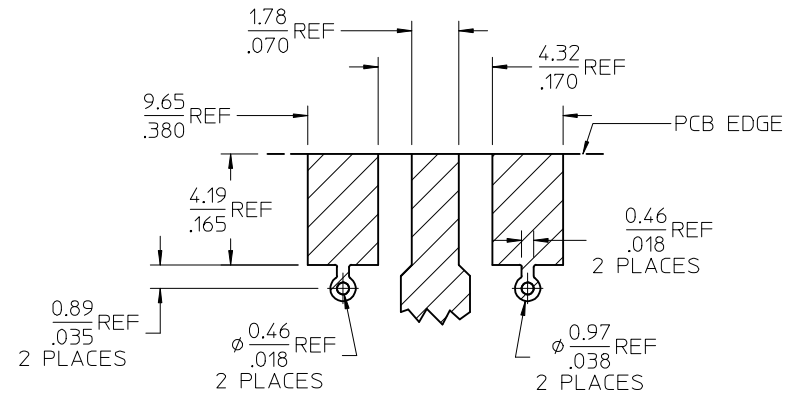
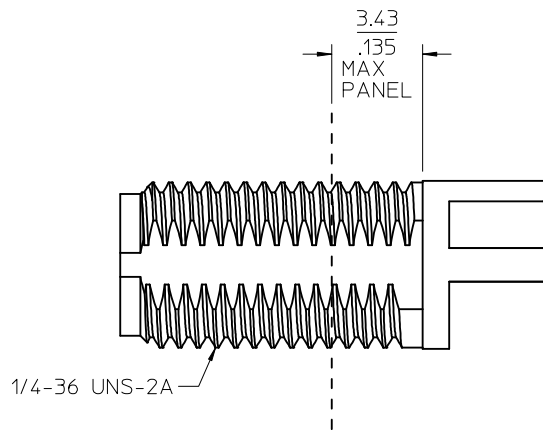
INSULATOR: PTFE



SMA JACK
 INTERFACE



RECOMMENDED PANEL CUTOUT



RECOMMENDED PAD LAYOUT:
 BASE WIDTH: 6.35(.250) NOM.
 BOARD THICKNESS: 1.57(.062) NOM.
 BOARD MATERIAL: FR4 W/1.0 OZ COPPER
 BOTH SIDES

PART # 73251-9340

PS-89675-3460	PRODUCT SPECIFICATION
MIL-STD-348A, FIG. 310.2	INTERFACE
SPECIFICATION	DESCRIPTION

CHG: NEW RELEASE EC NO: URF2014-0585 DRWN: JLEE02 2014/04/14 CHKD: SSS 2014/04/14 APPR: WSPINK	QUALITY SYMBOLS ∇=0 ∇=0 ∇=0	GENERAL TOLERANCES (UNLESS SPECIFIED)		DIMENSION STYLE MM/IN	SCALE INCH	DESIGN UNITS INCH	THIRD ANGLE PROJECTION	
		4 PLACES ± --- ± --- 3 PLACES ± --- ± --- 2 PLACES ± --- ± --- 1 PLACE ± --- ± --- 0 PLACE ± --- ± ---	mm INCH	DRAWN BY AROBERTSON	DATE 2014/04/08	TITLE SMA JACK BK RM EDGE LAUNCH .062" PCB SMA-J/BK/PCB, EWR-5375	DOCUMENT NO. SD-73251-934	SHEET NO. 1 OF 1
		ANGULAR ± 2 °		APPROVED BY WSPINK	DATE 2014/04/14	molex		
		DRAFT WHERE APPLICABLE MUST REMAIN WITHIN DIMENSIONS		MATERIAL NO. SEE TABLE	DATE 2014/04/14			