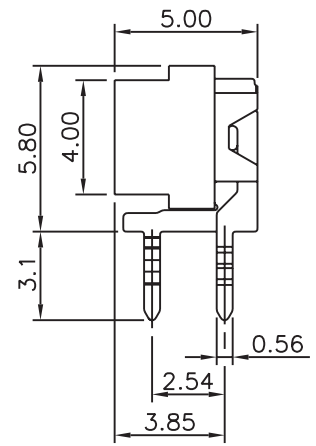
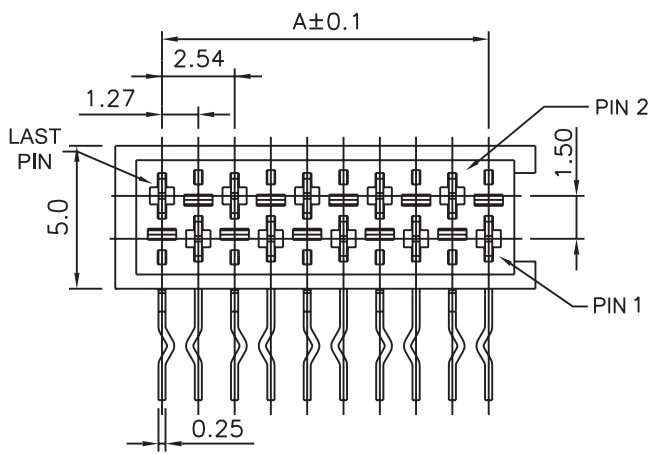


PCB LAYOUT - COMPONENT VIEW



MATERIAL:  
 HOUSING MATERIAL: PBT  
 FLAMABILITY RATING: UL94-V0  
 COLOR: RED  
 CONTACT MATERIAL: PHOSPHOR BRONZE  
 CONTACT TYPE: STAMPED  
 CONTACT PLATING: MATT TIN OVER NICKEL  
 QUALITY CLASS: 25 MATING CYCLES  
 PITCH: 2.54 MM PER ROW

ENVIRONMENTAL:  
 OPERATING TEMPERATURE: -40°C UP TO 105°C  
 COMPLIANCE: LEAD FREE AND ROHS

ELECTRICAL:  
 CURRENT RATING: 1.5A PER PIN (PCB PIN)  
 WORKING VOLTAGE: 100VAC  
 INSULATION RESISTANCE: >1000MOHM  
 DIELECTRIC WITHSTANDING VOLT.: 500VAC/MN  
 CONTACT RESISTANCE: 10mOHM MAX

STANDARD  
 RoHS CERTIFIED: E323964 / MOD. NUMBER 69036817xx7x

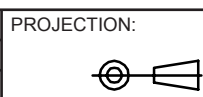
SOLDERING:  
 WAVE PROCESS ONLY

DIMENSION:  
 DIM.A= 1.27 x No. of Spaces  
 DIM.B= DIM.A + 3.27  
 DIM.C= DIM.A + 1.80

AVAILABLE  
 xx : 4 TO 26 CIRCUITS

PACKAGING:  
 x = 2 TUBE  
 x = 7 TAPE & REEL

RoHS Compliant			
G			
F			
E	21-NOV-11	DIM B	GG
D	15-APR-10	PINNING	JP
C	09-MAR-10	STANDARD	JP
B	27-NOV-07	MODIFICATIONS	EC
A	03-NOV-06	PDF	JP
REV	DATE	FILE	BY



GENERAL TOLERANCE  
 .X = +/- 0.2  
 .XX = +/- 0.15



APPROVAL: RJ

UNIT: MM  
 SCALE:  
 SHEET: 1/1  
 DRAW: EAGER

DESCRIPTION: MM FEMALE ANGLED CONNECTOR WITH POLARIZATION WITHOUT LATCH  
 WERI PART NO: 690 368 17 xx 7 x

SIZE  
**A4**