

KSU Series

Micro Mini Surface Mount Detect Switches



Features/Benefits

- New multi contact construction
- Metal actuator
- Low actuating force
- RoHS compliant and compatible

Typical Applications

- Mobile phones and other handheld devices
- Portable medical devices
- Audio devices
- Alarm devices
- Payment terminals
- Smart meters

Specifications

FUNCTION: Momentary action.
 CONTACT TYPE: SPST Normally open.
 TERMINALS: Gullwing type for SMT.

Mechanical

SWITCHING FORCE: $0,7 \pm 0,5$ N
 TRAVEL TO MAKE: $0,65$ mm - $0,45/+0,25$ mm
 MECHANICAL TRAVEL: $1,5 \pm 0,2$ mm
 OPERATING LIFE: 100,000 cycles

Packaging

Switches are delivered on continuous tape, in reels of 1,000 pieces

Electrical

MAXIMUM POWER: 0.2 VA
 MAXIMUM VOLTAGE: 32 VDC
 MINIMUM VOLTAGE: 20 mV
 MAXIMUM CURRENT: 10 mA
 MINIMUM CURRENT: 0.01 mA
 CONTACT RESISTANCE: ≤ 100 m Ω
 INSULATION RESISTANCE: (100 VDC) 10^9 Ω
 DIELECTRIC STRENGTH: ≥ 250 Vrms
 BOUNCE TIME: ≤ 3 ms

GOLD

SILVER

Environmental

OPERATING TEMPERATURE: -40°C to $+125^{\circ}\text{C}$ -40°C to $+85^{\circ}\text{C}$
 STORAGE TEMPERATURE: -55°C to $+125^{\circ}\text{C}$ -40°C to $+85^{\circ}\text{C}$

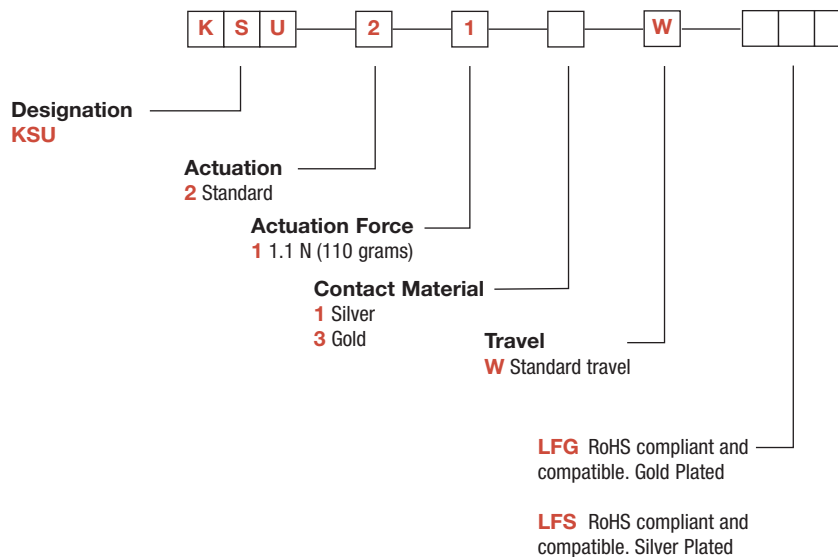
Process

SOLDERING: Compatible with lead free reflow process

NOTE: Specifications listed above are for switches with standard options.
 For information on specific and custom switches, consult Customer Service Center.

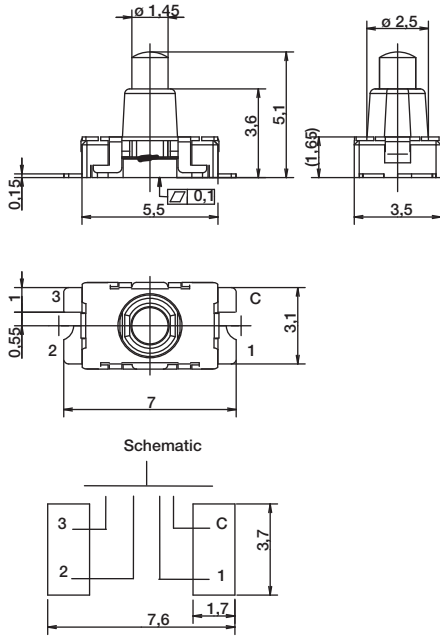
Build-A-Switch

To order, simply select desired option from each category and place in the appropriate box. Available options are shown and described on page E-17. For additional options not shown in catalog, consult our Customer Service Center.

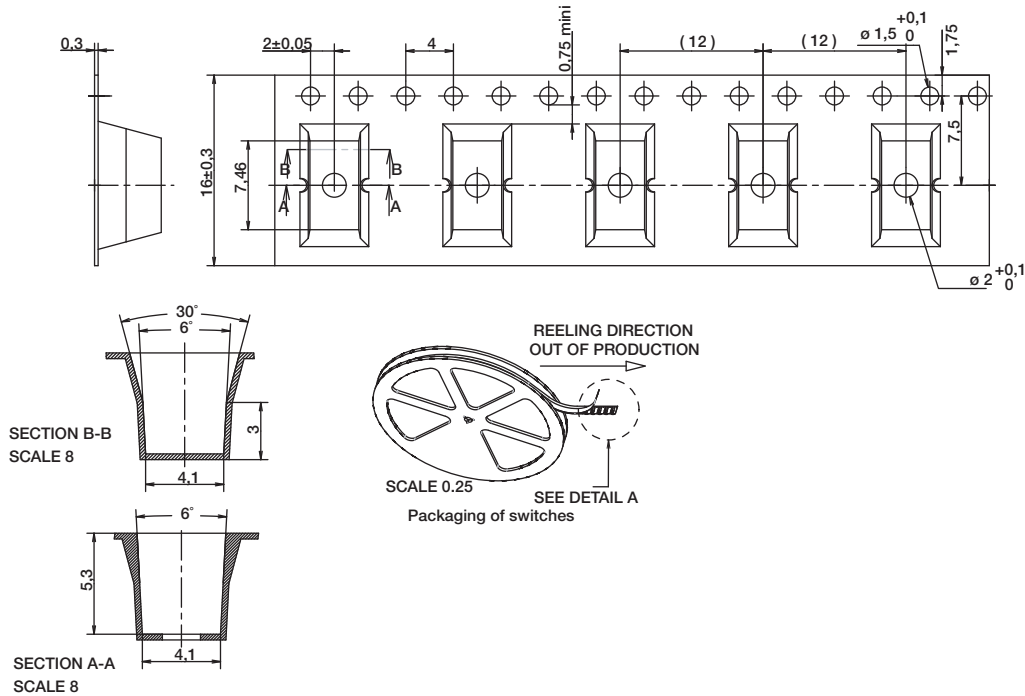


Detect

KSU Series Micro Mini Surface Mount Detect Switches



TAPE & REEL



Detect