

Datasheet

Noga thread/indicator arm

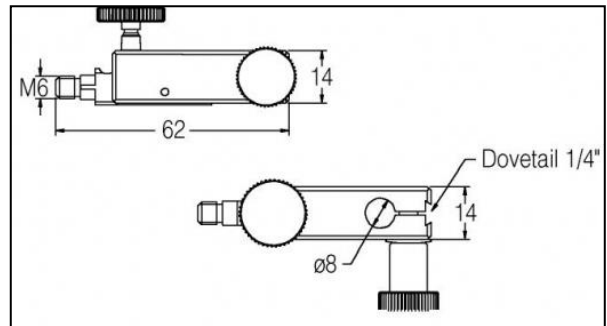
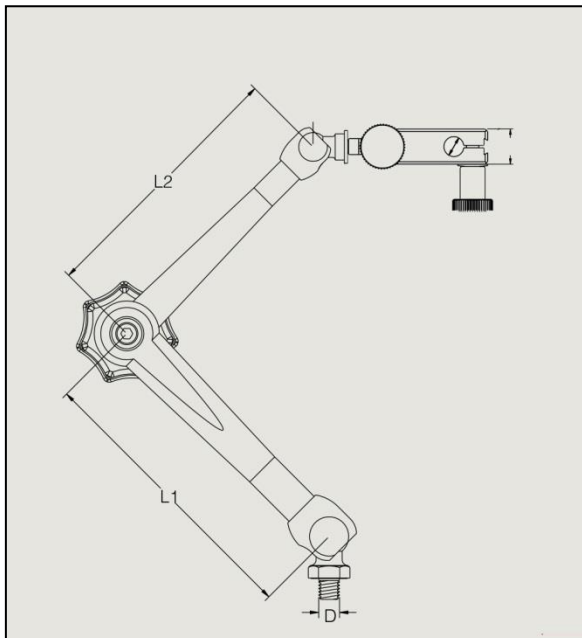
RS Stock number [264-3542](#)



Description

The Noga Dial Gauge Holding System has two articulated arms which can be easily locked in any position using the single central locking knob.

Indicator Holder is fitted with fine adjustment and will hold indicators with 8mm stems plus dovetail fittings.



Code	Thread D	L1	L2
264-3542	M8	110mm	101mm