

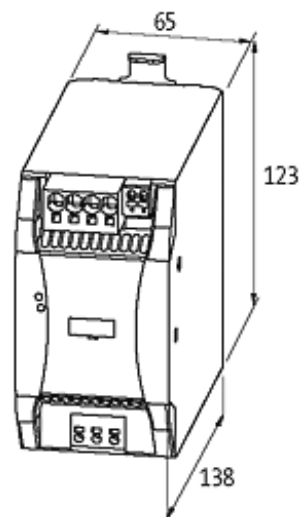
EMPARRO POWER SUPPLY 1-PHASE,

IN: 100-240VAC OUT: 48-56VDC/5A

INPUT : 85...265 V AC/90...250 V DC

OUTPUT : 48...56 V DC

Current : 5 A

[Link to Product](#)**Illustration**

Product may differ from Image

Approvals



Input

Input voltage	85...265 V AC/90...250 V DC
Input current	2.6 A (100 V AC); 1.1 A (240 V AC)
Inrush current after 1 ms	max. 5.5 A (230 V AC)
Power factor	0.95 (230 V AC)
Primary fusing external	max. 20 A (T), cable protection
Frequency	50...60 Hz

General data

Standards	EN 60950-1, EN 61204-3, EN 55011 B, EN 61000-3-2, SEMI F47
Relative humidity	5...95%, no condensation
Efficiency	93.7% (110 V AC); 95.1% (230 V AC)
Dimensions H x W x D	123x65x138 mm
Connection	Push-In spring clamp terminals
Mounting method	DIN-rail mountable TH35 (EN 60715)
Temperature range	-25...+60 °C, ...+70 °C derating (storage temperature -40...+80 °C)

Output

Output voltage	48 V DC (SELV), ±1%; 48...56 V adjustable
Power Boost	I _{out} N x 150% (min. 4 s)
Output current	5 A
Mains failure bridging time	min. 30 ms (100 V AC); 5 A (48 V DC)
Ripple	max. 50 mV _{rms}
Unit protection	short-circuit and overload protected
Spikes	max. 200 mV p-p
LED display	LED (green): OK; LED (red): overload, overheating or short-circuit
Parallel usage/serial usage	max. 5 units/max. 2 units

Commercial data

country of origin	CZ
customs tariff number	85044090
EAN	4048879402934
eClass	27049002
Packaging unit	1